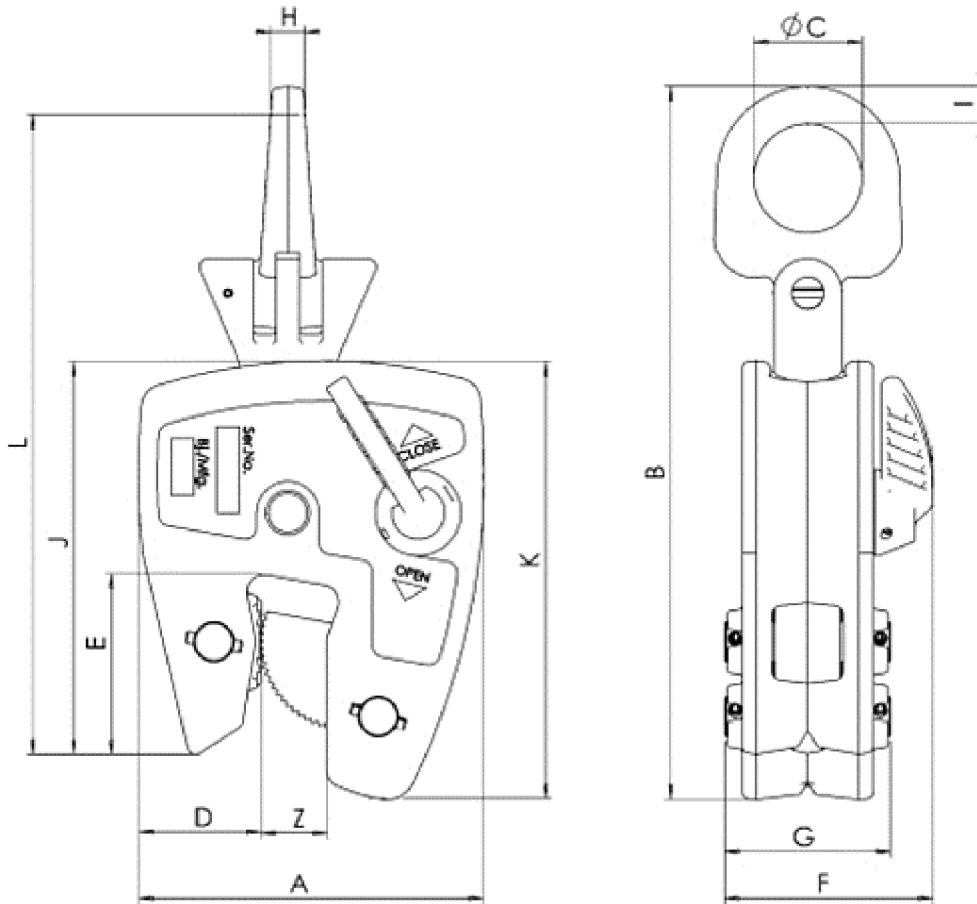


Wymiary – Uchwyty Tigrip, producent Yale, model Shark-S 1,0 – 2,0



Typ	Nośność [t]	Rozstaw Szczęk Z [mm]	Waga [kg]	A [mm]	B [mm]	C [mm]	D [mm]	E [mm]	F [mm]	G [mm]	H [mm]	I [mm]	J [mm]	K [mm]	L [mm]
Shark - S 1,0	1,0	0-20	3,6	120	248	38	42	60	72	57,5	12	13	137	152	223
Shark - S 2,0	2,0	0-32	7,8	170	349	65	58	80	88	69	19	20	191	214	326



OROME

Ul. Pułaskiego 17, 46-200 Kluczbork
 Tel. +48 77 417 05 06, Fax +48 77 544 93 23

www.orome.pl orome@orome.pl

