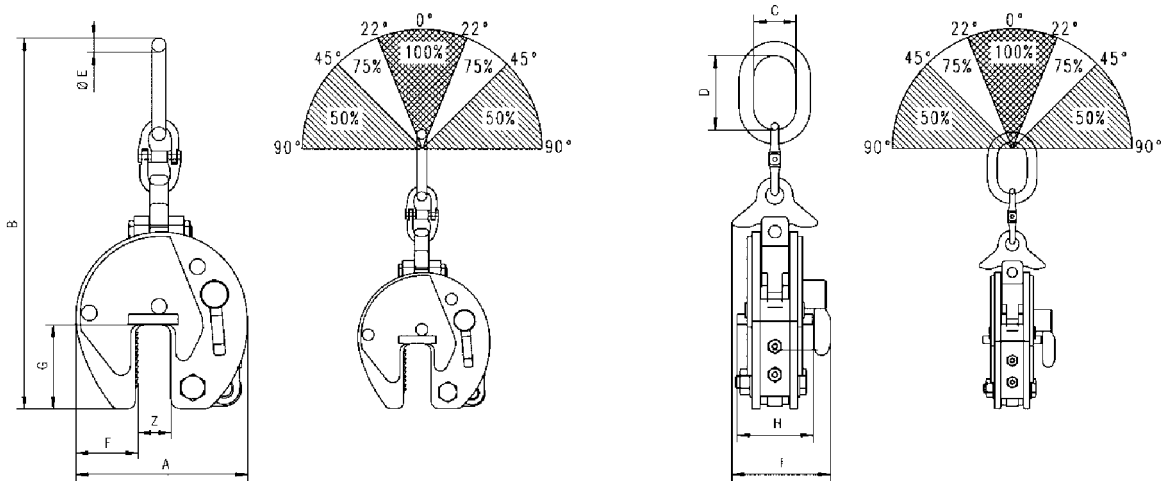


Wymiary – Uchwyty Tigrip, producent Yale, model TBS 4,5 - 10,0 (SL)



Typ	Nośność	Zakres grub. blach mm	Waga kg	A mm	B mm	C mm	D mm	Ø E mm	F mm	G mm	H mm	I mm	Nr ka.1
TBS 4,5	4,5	0 - 50	33,0	292	675	90	180	27,8	95	143	135	185	5020.0309
TBS 6,0 S	6,0	0 - 50	38,0	292	737	95	176	27,8	95	143	137	188	5020.0305
TBS 6,0 L	6,0	50 - 100	42,0	367	785	98	180	27,8	115	143	135	188	5020.0306
TBS 8,0 S	8,0	0 - 50	39,0	292	737	98	176	27,8	95	143	136	210	5020.0307
TBS 8,0 L	8,0	50 - 100	51,0	367	785	98	180	27,8	115	143	136	210	5020.0310
TBS 10,0 S	10,0	0 - 50	61,0	360	903	110	195	33,0	125	162	170	223	5020.0308
TBS 10,0 L	10,0	50 - 100	76,0	446	921	112	195	33,0	168	162	170	223	5020.0311



OROME

Ul. Pułaskiego 17, 46-200 Kluczbork
 Tel. +48 77 417 05 06, Fax +48 77 544 93 23

www.orome.pl orome@orome.pl

