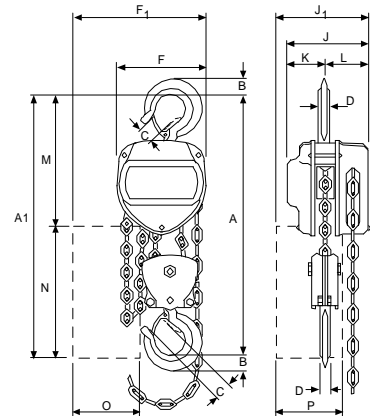


Model VS 0,5/1  
 Model VS 1/1  
 Model VS 2/1  
 Model VS 3/1



Model VS 2/2  
 Model VS 3/2  
 Model VS 5/2

Wymiary podane w mm

Wymiar	VS 0,5/1	VS 1/1	VS 2/1	VS 2/2	VS 3/1	VS 3/2	VS 5/2
A <sub>min</sub>	295	345	450	440	530	530	620
A <sub>1</sub>	455	484	596	491	644	596	644
B	16	21	37	27	46	35	45
C	22	27	37	30	46	37	46
D	11	15	25	20	29	24	30
F	125	147	183	147	215	183	215
F <sub>1</sub>	213	232	314	232	333	314	333
G	–	–	–	–	–	–	–
H	–	–	–	–	–	–	–
J	111	125	142	125	163	142	163
J <sub>1</sub>	146	153	174	153	179	174	179
K	52	57	68	57	79	68	79
L	59	68	74	68	84	74	84
M	195	224	266	231	316	286	334
N	260	260	310	260	310	310	310
O	140	140	200	140	200	200	200
P	110	110	130	110	130	130	130
Łańcuch m*	12	12	12	12	10	12	10

\*maks. pojemność kontenera łańcucha

