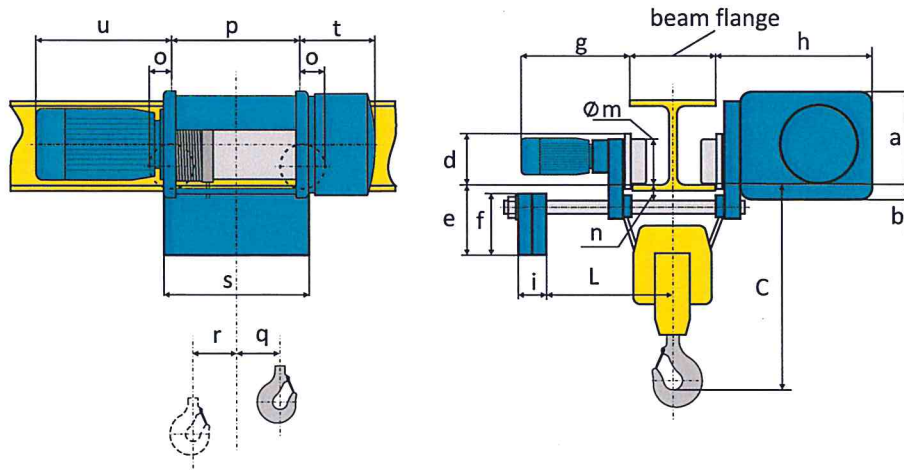


# Low Headroom Hoist

## MT Series, 2 rope falls (reeving 2/1)



Low headroom hoist – MT series, 2 rope falls (reeving 2/1)

Hoist type	Capacity (t)	Rope (mm)	Hook travel (m)	Fixed dimensions (mm)												Variable dimensions (mm)										Beam flange		Weight (kg)
				C	a	b	d	e	f	g	h	i	L	m	n	o	p	q	r	s	t	u (V1)	u (V2)	x	y	max	min	
MT305	1	ø7	10	640	240	69	140	359	300	420	476	24	538...453	122	81	102	395	88	65	700	200	376	376	20	40	300	130	305
	1	ø7	14	640	240	69	140	359	300	420	476	24	538...453	122	81	102	520	149	65	700	200	376	376	20	40	300	130	312
	1	ø7	20	640	240	69	140	359	300	420	476	24	538...453	122	81	102	700	239	65	800	200	376	376	20	40	300	130	330
MT308	1.6	ø7	10	700	240	69	140	359	300	420	476	24	538...453	122	81	102	395	88	65	700	200	376	483	20	40	300	130	310
	1.6	ø7	14	700	240	69	140	359	300	420	476	24	538...453	122	81	102	520	149	65	700	200	376	483	20	40	300	130	328
	1.6	ø7	20	700	240	69	140	359	300	420	476	24	538...453	122	81	102	700	239	65	800	200	376	483	20	40	300	130	341
MT312	2.5	ø10	10	800	240	69	140	349	300	426	476	40	596...511	122	81	95	440	99.5	68	700	246	483	483	20	40	300	130	361
	2.5	ø10	14	800	240	69	140	349	300	426	476	40	596...511	122	81	95	570	164.5	68	700	246	483	483	20	40	300	130	396
	2.5	ø10	20	800	240	69	140	349	300	426	476	40	596...511	122	81	95	775	267	68	900	246	483	483	20	40	300	130	421
MT316	3.2	ø10	10	800	240	69	140	349	300	426	476	40	596...511	122	81	95	440	99.5	68	700	246	483	607	20	40	300	130	440
	3.2	ø10	14	800	240	69	140	349	300	426	476	40	596...511	122	81	95	570	164.5	68	700	246	483	607	20	40	300	130	470
	3.2	ø10	20	800	240	69	140	349	300	426	476	40	596...511	122	81	95	775	267	68	900	246	483	607	20	40	300	130	508
MT525	5	ø12	10	920	283	71	146	471	310	483	482	200	471...386	122	76	95	455	85	82	700	266	616	661	20	40	300	130	535
	5	ø12	14	920	283	71	146	471	310	483	482	200	471...386	122	76	95	590	152.5	82	700	266	616	661	20	40	300	130	546
	5	ø12	20	920	283	71	146	471	310	483	482	200	471...386	122	76	95	795	255	82	900	266	616	661	20	40	300	130	560
	5	ø12	26	920	283	71	146	471	310	483	482	200	471...386	122	76	95	995	355	82	1100	266	616	661	20	40	300	130	572

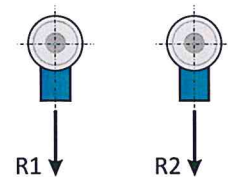
Dimensions are for hoists with FEM 2m/ISO M5, for 3m/M6 see table MT2-3m.  
All dimensions are referred to "Standard Products", for all other products please contact Podem for GA drawing.

Low headroom hoist – MT series, 2 rope falls (reeving 2/1)

Hoist type	Capacity (t)	Hook position	Reactions (kg)							
			Hook travel (m)							
			10		14		20		26	
			R1	R2	R1	R2	R1	R2	R1	R2
MT305	1	uep	361	139	393	107	421	79	-	-
	1	dep	168	332	189	311	203	297	-	-
MT308	1.6	uep	577	223	629	171	673	127	-	-
	1.6	dep	268	532	302	498	325	475	-	-
MT312	2.5	uep	906	344	985	265	1055	195	-	-
	2.5	dep	432	818	472	778	517	733	-	-
MT316	3.2	uep	1160	440	1260	340	1350	250	-	-
	3.2	dep	553	1047	604	996	662	938	-	-
MT525	5	uep	1714	786	1894	606	2050	450	2141	359
	5	dep	794	1706	898	1602	995	1505	1044	1456

MT2-3m

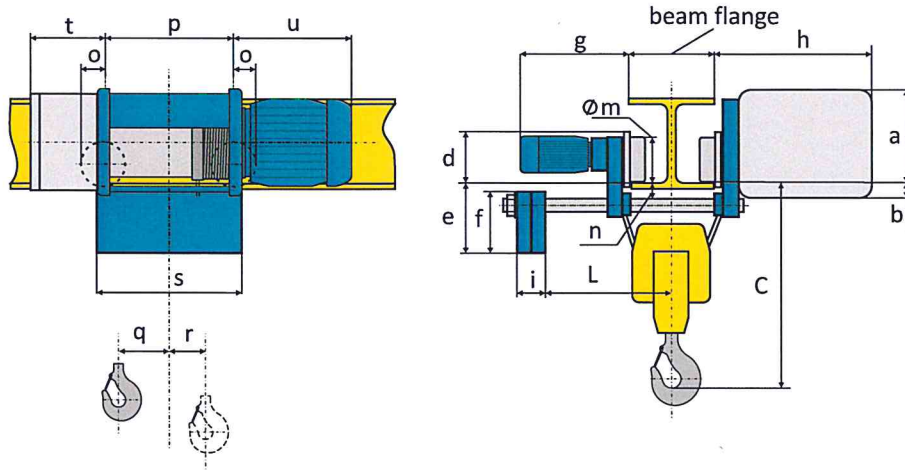
Hoist type	FEM	ISO	Dimensions
MT304	3m	M6	see MT305
MT306	3m	M6	see MT308
MT310	3m	M6	see MT312
MT313	3m	M6	see MT316
MT520	3m	M6	see MT525



\* For wider beam flanges, as specified, the measure "C" (space required by the hook) increases of 12 mm every 10 mm beam flange width.  
uep – Upper end position of the hook.  
dep – Down end position of the hook.

# Low Headroom Hoist

## M Series, 2 rope falls (reeving 2/1)



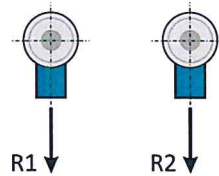
Low headroom hoist – M series, 2 rope falls (reeving 2/1)

Hoist type	Capacity (t)	Rope (mm)	Hook travel (m)	Fixed dimensions (mm)													Variable dimensions (mm)										Beam flange		Weight (kg)
				B	C	a	b	d	e	f	g	h	i	L	m	n	o	p	q	r	s	t	u (V1)	u (V2)	x	y	max	min	
M740	8	ø 15	14	56	925	454,5	75,5	218	395	365	430	762	230	650..565	200	42,5	145	553	130	83	673	299	674	512	22	45	300	130	870
	8	ø 15	19	56	925	454,5	75,5	218	395	365	430	762	230	650..565	200	42,5	145	713	160	133	833	299	674	512	22	45	300	130	1000
	8	ø 15	26	56	925	454,5	75,5	218	395	365	430	762	230	650..565	200	42,5	145	928	268	133	1048	299	674	512	22	45	300	130	1080
M750	10	ø 15	14	56	1040	468	62	218	395	365	430	762	230	650..565	200	45	140	553	130	83	673	299	453	720	22	45	300	130	910
	10	ø 15	19	56	1040	468	62	218	395	365	430	762	230	650..565	200	45	140	713	160	133	833	299	453	720	22	45	300	130	1050
	10	ø 15	26	56	1040	468	62	218	395	365	430	762	230	650..565	200	45	140	928	268	133	1048	299	453	720	22	45	300	130	1110

All dimensions are referred to "Standard Products", for all other products please contact Podem for GA drawing.

Low headroom hoist – M series, 2 rope falls (reeving 2/1)

Hoist type	Capacity (t)	Hook travel (m)	Hook position	Reactions (kg)	
				R1	R2
M740	8	14	uep	1060	2940
	8	14	dep	2600	1400
	8	19	uep	1103	2897
	8	19	dep	2746	1254
	8	26	uep	845	3155
	8	26	dep	2573	1427
M750	10	14	uep	2650	7350
	10	14	dep	6500	3500
	10	19	uep	2758	7242
	10	19	dep	6865	3135
	10	26	uep	2113	7887
	10	26	dep	6432	3568



\* For wider beam flanges, as specified, the measure "C" (space required by the hook) increases of 12 mm every 10 mm beam flange width.

**uep** – Upper end position of the hook.

**dep** – Down end position of the hook.