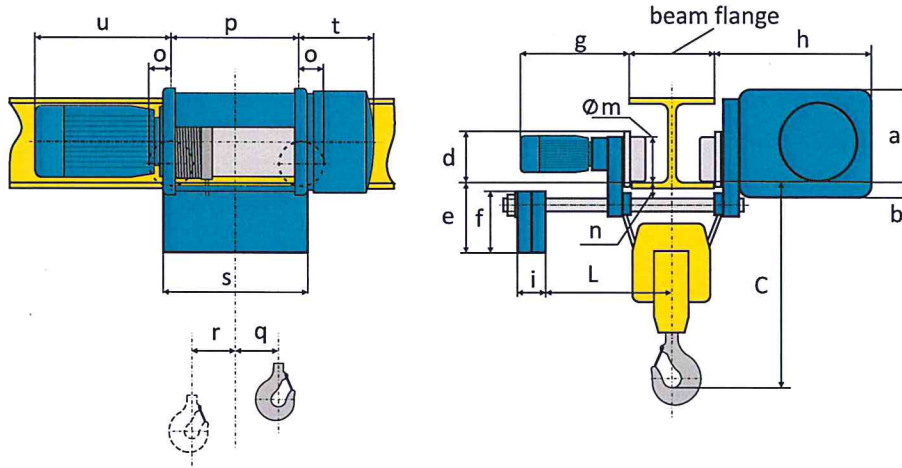


Low Headroom Hoist

MT Series, 4 rope falls (reeving 4/1)



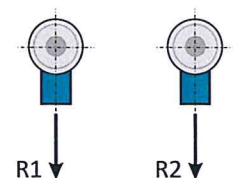
Low headroom hoist – MT series, 4 rope falls (reeving 4/1)

Hoist type	Capacity (t)	Rope (mm)	Hook travel (m)	Fixed dimensions (mm)													Variable dimensions (mm)								Beam flange		Weight (kg)	
				C	a	b	d	e	f	g	h	i	L	m	n	o	p	q	r	s	t	u (V1)	u (V2)	x	y	max		min
MT305	2	ø 7	7	649	240	69	140	359	300	417	476	24	612...527	122	82	102	520	64	43	700	200	376	376	20	40	300	130	298
	2	ø 7	10	649	240	69	140	359	300	417	476	24	612...527	122	82	102	700	154	-2	800	200	376	376	20	40	300	130	315
	2	ø 7	13	649	240	69	140	359	300	417	476	24	612...527	122	82	102	885	247	-47	1000	200	376	376	20	40	300	130	328
MT308	3.2	ø 7	7	680	240	69	140	359	300	417	476	24	612...527	122	82	102	520	64	43	700	200	376	483	20	40	300	130	320
	3.2	ø 7	10	680	240	69	140	359	300	417	476	24	612...527	122	82	102	700	154	-2	800	200	376	483	20	40	300	130	340
	3.2	ø 7	13	680	240	69	140	359	300	417	476	24	612...527	122	82	102	885	247	-47	1000	200	376	483	20	40	300	130	370
MT312	5	ø 10	7	750	245	64	140	349	300	473	476	40	631...546	122	77	95	570	24	94	700	246	483	483	20	40	300	130	490
	5	ø 10	10	750	245	64	140	349	300	473	476	40	631...546	122	77	95	775	127	41	900	246	483	483	20	40	300	130	515
	5	ø 10	13	750	245	64	140	349	300	473	476	40	631...546	122	77	95	975	227	-9	1100	246	483	483	20	40	300	130	540
MT316	6.3	ø 10	7	770	245	64	140	349	300	526	476	40	631...546	122	77	95	570	24	94	700	246	483	607	20	40	300	150	460
	6.3	ø 10	10	770	245	64	140	349	300	526	476	40	631...546	122	77	95	775	127	41	900	246	483	607	20	40	300	150	482
	6.3	ø 10	13	770	245	64	140	349	300	526	476	40	631...546	122	77	95	975	227	-9	1100	246	483	607	20	40	300	150	513
MT525	10	ø 12	7	810	304	50	174	343	310	536	551	200	556...481	155	60	122	590	60	58	700	266	616	661	20	40	300	150	530
	10	ø 12	10	810	304	50	174	343	310	536	551	200	556...481	155	60	122	795	163	6	900	266	616	661	20	40	300	150	555
	10	ø 12	13	810	304	50	174	343	310	536	551	200	556...481	155	60	122	995	263	-43	1100	266	616	661	20	40	300	150	590

Dimensions are for hoists with FEM 2m/ISO M5, for 3m/M6 see table MT2-3m.
All dimensions are referred to "Standard Products", for all other products please contact Podem for GA drawing.

Low headroom hoist – MT series, 4 rope falls (reeving 4/1)								
Hoist type	Capacity (t)	Hook position	Reactions (kg)					
			Hook travel (m)					
			7		10		13	
			R1	R2	R1	R2	R1	R2
MT305	2	uep	622	378	720	280	778	222
	2	dep	583	417	502	498	553	447
MT308	3.2	uep	997	603	1152	448	1246	354
	3.2	dep	933	667	804	796	885	715
MT312	5	uep	1356	1144	1658	842	1831	669
	5	dep	838	1662	1118	1382	1273	1227
MT316	6.3	uep	1708	1442	2089	1061	2307	843
	6.3	dep	1056	2094	1409	1741	1604	1546
MT525	10	uep	3009	1991	3522	1478	3819	1181
	10	dep	2009	2991	2463	2537	2716	2284

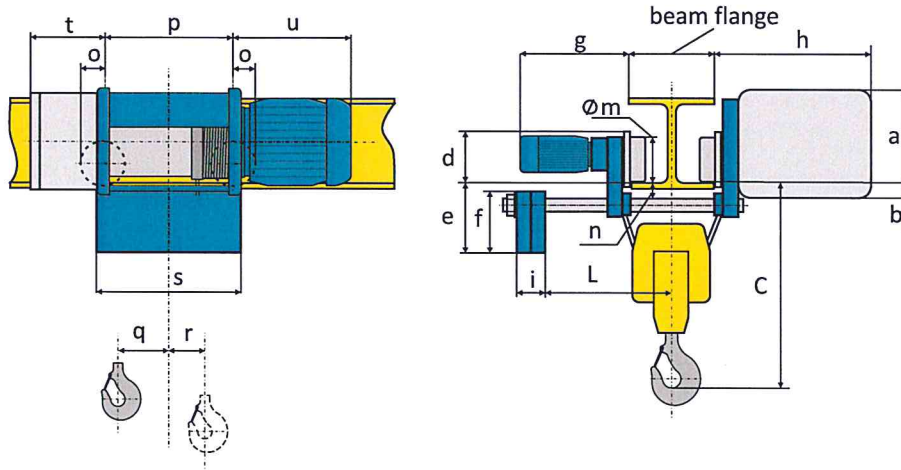
MT4-3m			
Hoist type	FEM	ISO	Dimensions
MT304	3m	M6	see MT305
MT306	3m	M6	see MT308
MT310	3m	M6	see MT312
MT313	3m	M6	see MT316
MT520	3m	M6	see MT525



* For wider beam flanges, as specified, the measure "C" (space required by the hook) increases of 12 mm every 10 mm beam flange width.
uep – Upper end position of the hook.
dep – Down end position of the hook.

Low Headroom Hoist

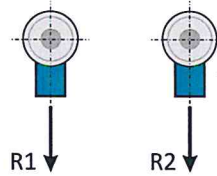
M Series, 4 rope falls (reeving 4/1)



Low headroom hoist – M series, 4 rope falls (reeving 4/1)																													
Hoist type	Capacity (t)	Rope (mm)	Hook travel (m)	Fixed dimensions (mm)												Variable dimensions (mm)								Beam flange		Weight (kg)			
				B	C	a	b	d	e	f	g	h	i	L	m	n	o	p	q	r	s	t	u (V1)	u (V2)	x		y	max	min
M740	16	ø 15	9	71	910	454,5	75,5	273	395	365	522	772	230	640...555	250	42,5	178	713	65	75	833	299	674	512	22	45	300	130	1275
	16	ø 15	13	71	910	454,5	75,5	273	395	365	522	772	230	640...555	250	42,5	178	928	156	45	1048	299	674	512	22	45	300	130	1505
	16	ø 15	16	71	910	454,5	75,5	273	395	365	522	772	230	640...555	250	42,5	178	1143	264	-17	1263	299	674	512	22	45	300	130	1725

All dimensions are referred to "Standard Products", for all other products please contact Podem for GA drawing.

Low headroom hoist – M series, 4 rope falls (reeving 4/1)					
Hoist type	Capacity (t)	Hook travel (m)	Hook position	Reactions (kg)	
				R1	R2
M740	16	9	uep	3277	4723
	16	9	dep	4836	3164
	16	13	uep	2655	5345
	16	13	dep	4151	3849
	16	16	uep	2156	5844
	16	16	dep	3883	4117



* For wider beam flanges, as specified, the measure "C" (space required by the hook) increases of 12 mm every 10 mm beam flange width.
uep – Upper end position of the hook.
dep – Down end position of the hook.