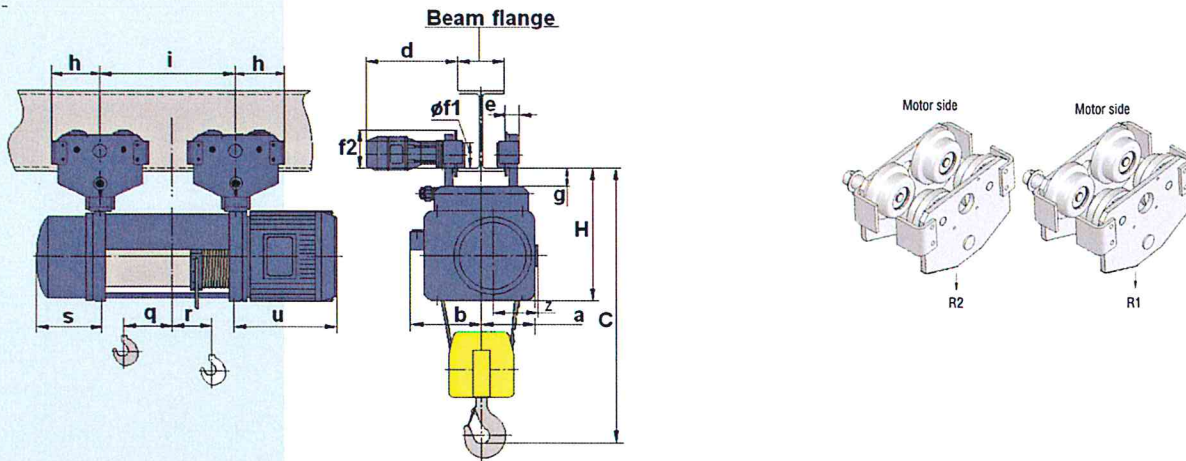


## normal headroom hoist MT; 2 rope falls (reeving 2/1)



Hoist type	Capacity, kg	Rope, mm	Fixed dimensions, mm										Max beam flange width	Min beam flange width
			C	H	a	b	d	e	f1	f2	g	h		
1	2	3	4	5	6	7	8	9	10	11	12	13	14	15
MT305	1000	Ø7	996	496	208	247	380	53	120	142	30	190	300	130
MT308	1600	Ø7	1096	496	208	247	380	53	120	142	30	190	300	130
MT312	2500	Ø10	1166	496	195	260	380	53	120	142	30	190	300	130
MT316	3200	Ø10	1166	496	195	260	380	53	120	142	30	190	300	130
MT525	5000	Ø12	1356	586	227	284	415	53	120	164	30	215	300	130

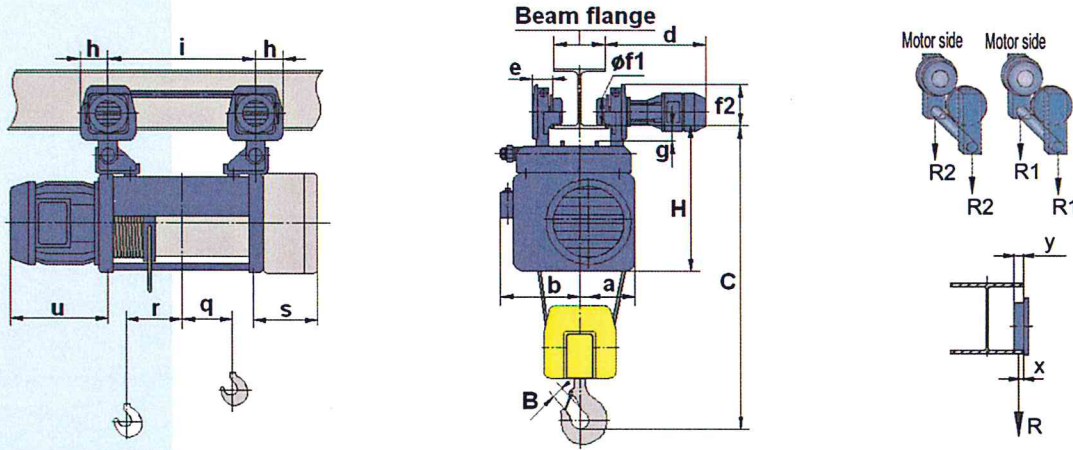
Hoist type	Hook travel, m	Variable dimensions, mm							
		i	q	r	s	Motors			
						NA		VA	
1	2	3	4	5	6	7	8	9	10
MT305	10	395	91	61	200	357	190	376	200
	14	520	154	61	200	357	190	376	200
	20	700	244	61	200	357	190	376	200
	20	700	244	61	200	376	200	483	220
MT308	10	395	91	61	200	376	200	483	220
	14	520	154	61	200	376	200	483	220
	20	700	244	61	200	376	200	483	220
	20	700	244	61	200	376	200	483	220
MT312	10	440	90	77	246	483	220	483	220
	14	570	155	77	246	483	220	483	220
	20	775	258	77	246	483	220	483	220
	20	775	258	77	246	483	220	607	240
MT316	10	440	90	77	246	483	220	607	240
	14	570	155	77	246	483	220	607	240
	20	775	258	77	246	483	220	607	240
	20	775	258	77	246	483	220	607	240
MT525	10	455	90	78	266	612	240	-	-
	14	590	157	78	266	612	240	-	-
	20	795	260	78	266	612	240	-	-
	26	995	360	78	266	612	240	-	-

Hoist capacity, kg	Weight, kg			
	Hook travel, m			
1000	275	282	300	310
1600	280	297	317	326
2500	340	370	400	432
3200	370	398	426	454
5000	510	525	540	600

Hoist type	Capacity, kg	Hook position	Hook travel, m							
			10		14		20		26	
			R1	R2	R1	R2	R1	R2	R1	R2
1	2	3	4	5	6	7	8	9	10	11
MT305	1000	uep	722	278	786	214	842	158	-	-
		dep	336	664	378	622	406	594	-	-
MT308	1600	uep	1154	446	1258	342	1346	254	-	-
		dep	536	1064	604	996	650	950	-	-
MT312	2500	uep	1812	688	1970	530	2110	390	-	-
		dep	864	1636	944	1556	1034	1466	-	-
MT316	3200	uep	2320	880	2520	680	2700	500	-	-
		dep	1106	2094	1208	1992	1324	1876	-	-
MT525	5000	uep	3428	1572	3788	1212	4100	900	4298	702
		dep	1588	3412	1796	3204	1990	3010	2088	2912

uep – upper end position of the hook; dep – down end position of the hook.

**normal headroom hoist M, 2 rope falls (reeving 2/1)**



Hoist type	Capacity, kg	Rope, mm	Fixed dimensions, mm											Max beam flange width	Min beam flange width
			B	C	H	a	b	d	e	f1	f2	g	h		
1	2	3	4	5	6	7	8	9	10	11	12	13	14	15	16
M740	8000	Ø15	56	1635	745	308	410	515	100	200	225	46	135	300	150

Hoist type	Hook travel, m	Variable dimensions, mm					
		i	q	r	s	Motors	
						NA	VA
1	2	3	4	5	6	7	8
M740	14	553	148	78	299	502	508
	19	713	178	128		502	508
	26	928	285	128		502	508

Wheel diameter, mm	x	y
200	22	45

Hoist type	Capacity, kg	Hook travel, m	Hook position	Reactions, kg	
				R1	R2
1	2	3	4	5	6
M740	8000	14	uep	930	3070
			dep	2564	1436
		19	uep	1002	2998
			dep	2718	1282
		26	uep	772	3228
			dep	2551	1449

Hoist capacity, kg	Weight, kg		
	Hook travel, m		
8000	14	19	26
	975	1143	1193

uep – upper end position of the hook; dep – down end position of the hook.