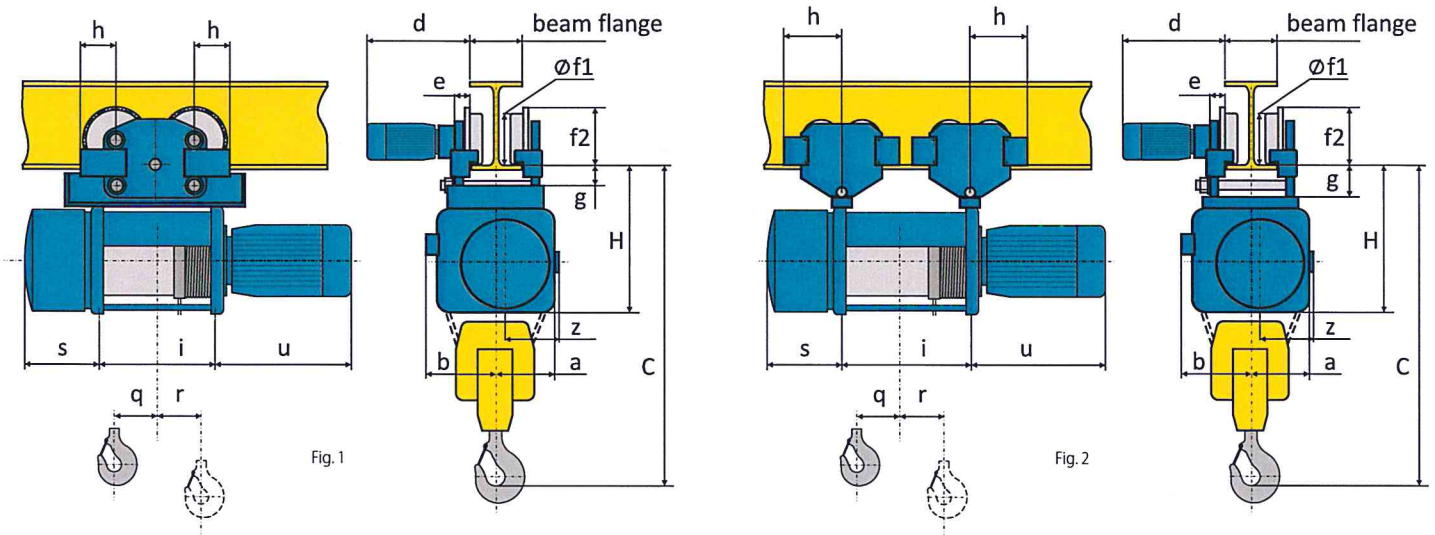


Normal Headroom Hoist

MT Series, 2 rope falls (reeving 2/1)



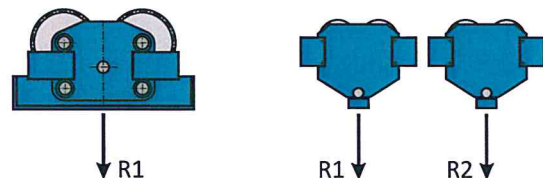
Normal headroom hoist – MT series, 2 rope falls (reeving 2/1)

Hoist type	Capacity (t)	Rope (mm)	Fig.	Hook travel (m)	Fixed dimensions (mm)										Variable dimensions (mm)								Beam flange		Weight (kg)		
					C	H	a	b	d	e	f1	f2	g	h	i	q	r	s	u (V1)	z (V1)	u (V2)	z (V2)	x	y		max	min
MT305	1	ø 7	1	10	939	439	208	247	325	87	120	140	33	93	395	91	61	200	376	150	376	150	20	40	300	130	270
	1	ø 7	1	14	939	439	208	247	325	87	120	140	33	93	520	154	61	200	376	150	376	150	20	40	300	130	282
MT308	1	ø 7	2	20	939	496	208	247	380	53	120	142	30	190	700	244	61	200	376	150	376	150	17	35	300	130	290
	1.6	ø 7	1	10	1073	473	208	247	325	115	175	200	37	125	395	91	61	200	376	150	483	181	22	45	300	150	280
	1.6	ø 7	1	14	1073	473	208	247	325	115	175	200	37	125	520	154	61	200	376	150	483	181	22	45	300	150	297
MT312	1.6	ø 7	2	20	1073	496	208	247	380	53	120	142	30	190	700	244	61	200	376	150	483	181	17	35	300	130	317
	2.5	ø 10	1	10	1140	473	195	260	325	115	175	200	37	125	440	90	77	246	483	181	483	181	22	45	300	150	330
	2.5	ø 10	1	14	1140	473	195	260	325	115	175	200	37	125	570	155	77	246	483	181	483	181	22	45	300	150	370
MT316	2.5	ø 10	2	20	1140	496	195	260	380	53	120	142	30	190	775	258	77	246	483	181	483	181	17	35	300	130	400
	3.2	ø 10	1	10	1140	473	195	260	335	115	175	200	37	125	440	90	77	246	483	181	607	240	22	45	300	150	370
	3.2	ø 10	1	14	1140	473	195	260	335	115	175	200	37	125	570	155	77	246	483	181	607	240	22	45	300	150	398
MT525	3.2	ø 10	2	20	1140	496	195	260	380	53	120	142	30	190	775	258	77	246	483	181	607	240	17	35	300	130	420
	5	ø 12	1	10	1180	496	227	284	365	120	210	230	33	140	455	90	78	266	616	251	661	251	22	45	300	150	525
	5	ø 12	1	14	1180	496	227	284	365	120	210	230	33	140	590	157	78	266	616	251	661	251	22	45	300	150	565
	5	ø 12	2	20	1180	586	227	284	415	53	120	164	30	215	795	260	78	266	616	251	661	251	17	35	300	130	590
MT525	5	ø 12	2	26	1180	586	227	284	415	53	120	164	30	215	995	360	78	266	616	251	661	251	17	35	300	130	618

Dimensions are for hoists with FEM 2m/ISO M5, for 3m/M6 see table MT2-3m.
All dimensions are referred to "Standard Products", for all other products please contact Podem for GA drawing.

Normal headroom hoist – MT series, 2 rope falls (reeving 2/1)								
Hoist type	Capacity (t)	Hook position	Reactions (kg)					
			Hook travel (m)				R2	
			10	14	20	26		
MT305	1	uep	1000	1000	842	158	–	–
	1	dep	1000	1000	406	594	–	–
MT308	1.6	uep	1600	1600	1356	254	–	–
	1.6	dep	1600	1600	650	950	–	–
MT312	2.5	uep	2500	2500	2110	390	–	–
	2.5	dep	2500	2500	1034	1466	–	–
MT316	3.2	uep	3200	3200	2700	500	–	–
	3.2	dep	3200	3200	1324	1876	–	–
MT525	5	uep	5000	5000	4100	900	428	702
	5	dep	5000	5000	1990	3010	2088	2912

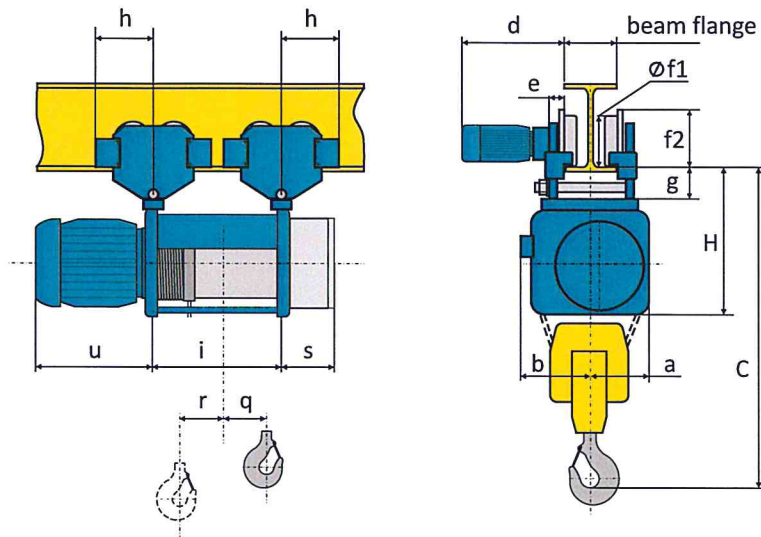
MT2-3m			
Hoist type	FEM	ISO	Dimensions
MT304	3m	M6	see MT305
MT306	3m	M6	see MT308
MT310	3m	M6	see MT312
MT313	3m	M6	see MT316
MT520	3m	M6	see MT525



uep – Upper end position of the hook.
dep – Down end position of the hook.
Note: Load on the single wheel – R1/4, R2/4

Normal Headroom Hoist

M Series, 2 rope falls (reeving 2/1)



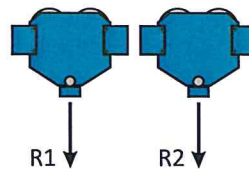
Normal headroom hoist – M series, 2 rope falls (reeving 2/1)

Hoist type	Capacity (t)	Rope (mm)	Hook travel (m)	Fixed dimensions (mm)											Variable dimensions (mm)								Beam flange		Weight (kg)
				B	C	H	a	b	d	e	f1	f2	g	h	i	q	r	s	u (V1)	u (V2)	x	y	max	min	
M740	8	ø 15	14	56	1566	716	308	410	365	120	210	230	33	140	553	148	78	299	674	512	22	45	300	150	975
	8	ø 15	19	56	1566	716	308	410	365	120	210	230	33	140	713	178	128	299	674	512	22	45	300	150	1143
	8	ø 15	26	56	1566	716	308	410	365	120	210	230	33	140	928	285	128	299	674	512	22	45	300	150	1193
M750	10	ø 15	14	56	1625	735	316	401	415	63	140	164	25	215	553	148	78	299	453	720	20	40	300	150	1050
	10	ø 15	19	56	1625	735	316	401	415	63	140	164	25	215	713	178	128	299	453	720	20	40	300	150	1220
	10	ø 15	26	56	1625	735	316	401	415	63	140	164	25	215	928	285	128	299	453	720	20	40	300	150	1300

All dimensions are referred to "Standard Products", for all other products please contact Podem for GA drawing.

Normal headroom hoist – M series, 2 rope falls (reeving 2/1)

Hoist type	Capacity (t)	Hook travel (m)	Hook position	Reactions (kg)	
				R1	R2
M740	8	14	uep	1860	6140
	8	14	dep	5128	2872
	8	19	uep	2004	5996
	8	19	dep	5436	2564
	8	26	uep	1544	6456
	8	26	dep	5102	2898
M750	10	14	uep	2325	7675
	10	14	dep	6410	3590
	10	19	uep	2505	7495
	10	19	dep	6795	3205
	10	26	uep	1930	8070
	10	26	dep	6377	3623



uep – Upper end position of the hook.
 dep – Down end position of the hook.
 Note: Load on the single wheel – R1/4, R2/4