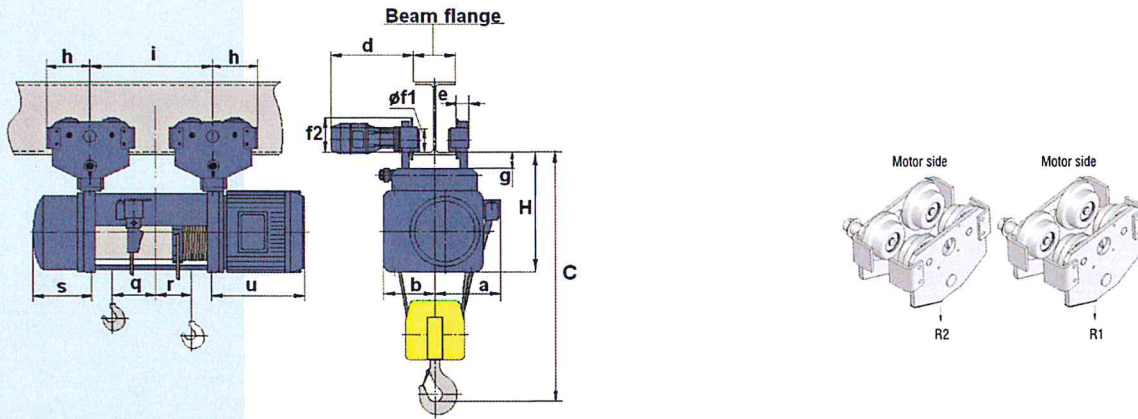


normal headroom hoist MT, 4 rope falls (reeving 4/1)



Hoist type	Capacity, kg	Rope, mm	Fixed dimensions, mm										Max beam flange width	Min beam flange width
			C	H	a	b	d	e	f1	f2	g	h		
1	2	3	4	5	6	7	8	9	10	11	12	13	14	15
MT305	2000	Ø7	1001	496	256	213	380	53	120	142	30	190	300	130
MT308	3200	Ø7	1046	496	256	213	380	53	120	142	30	190	300	130
MT312	5000	Ø10	1111	469	335	134	380	53	120	142	30	190	300	130
MT316	6300	Ø10	1131	496	335	134	380	53	120	142	30	190	300	130
MT525	10000	Ø12	1256	586	296	248	415	63	140	164	30	215	300	150

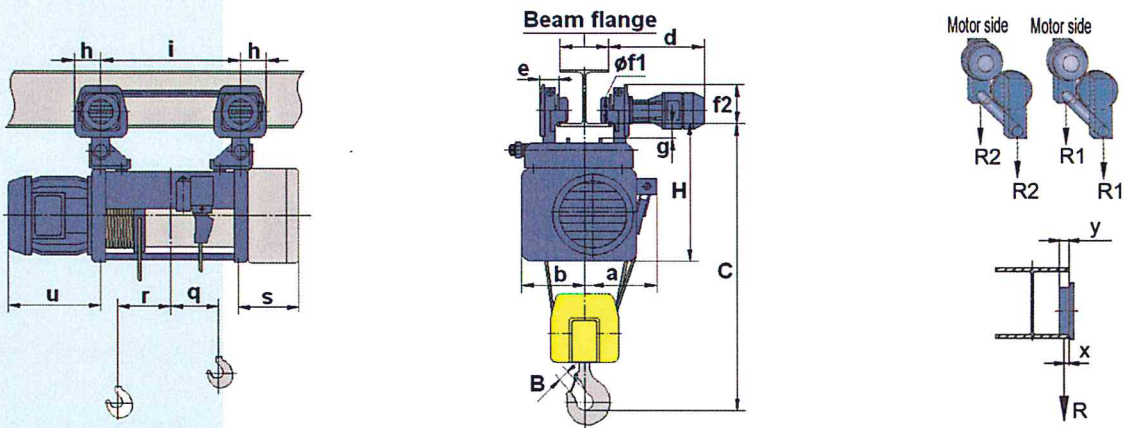
Hoist type	Hook travel, m	Variable dimensions, mm					
		i	q	r	s	Motors	
						NA	VA
1	2	3	4	5	6	7	8
MT305	7	520	132	-25	200	357	376
	10	700	222	-69	200	375	376
	13	885	314	-115	200	375	376
	7	520	132	-25	200	376	483
MT308	10	700	222	-69	200	376	483
	13	885	314	-115	200	376	483
	7	570	137	-19	246	483	483
MT312	10	775	240	-72	246	483	483
	13	975	340	-122	246	483	483
	7	570	137	-19	246	483	483
MT316	10	775	240	-72	246	483	483
	13	975	340	-122	246	483	483
	7	590	133	-15	266	612	-
MT525	10	795	236	-67	266	612	-
	13	995	336	-117	266	612	-

Hoist capacity, kg	Weight, kg		
	Hook travel, m		
	7	10	13
2000	290	308	320
3200	310	330	355
5000	395	425	457
6300	443	471	500
10000	525	560	600

Hoist type	Capacity, kg	Hook position	Hook travel, m					
			7		10		13	
			R1	R2	R1	R2	R1	R2
1	2	3	4	5	6	7	8	9
MT305	2000	uep	1508	492	1634	366	1710	290
		dep	1096	904	1196	804	1258	742
MT308	3200	uep	2412	788	2614	586	2736	464
		dep	1754	1446	1914	1286	2014	1186
MT312	5000	uep	3702	1298	4044	956	4240	760
		dep	2666	2334	2960	2040	3126	1874
MT316	6300	uep	4664	1636	5096	1204	5344	956
		dep	3360	2940	3730	2570	3938	2362
MT525	10000	uep	7254	2746	7968	2032	8376	1624
		dep	5254	4746	5842	4158	6176	3824

uep – upper end position of the hook; dep – down end position of the hook

normal headroom hoist M, 4 rope falls (reeving 4/1)



Hoist type	Capacity, kg	Rope, mm	Fixed dimensions, mm											Max beam flange width	Min beam flange width
			B	C	H	a	b	d	e	f1	f2	g	h		
1	2	3	4	5	6	7	8	9	10	11	12	13	14	15	16
M740	16000	Ø15	71	1600	771	410	358	550	122	250	282	50	176	300	150

Hoist type	Hook travel, m	Variable dimensions, mm					
		i	q	r	s	Motors	
						NA	VA
1	2	3	4	5	6	7	8
M740	7	553	37	70	299	502	508
	9	713	117	36			
	13	928	224	-18			
	16	1143	332	-72			

Wheel diameter, mm	x	y
250	22	45

Hoist type	Capacity, kg	Hook travel, m	Hook position	Reactions, kg	
				R1	R2
1	2	3	4	5	6
M740	16000	7	uep	3465	4535
			dep	5012	2988
		9	uep	2687	5313
			dep	4404	3596
		13	uep	2069	5931
			dep	3845	4155
		16	uep	1677	6323
			dep	3496	4504

Hoist capacity, kg	Weight, kg			
	Hook travel, m			
16000	7	9	13	16
	990	1160	1330	1515

uep – upper end position of the hook; dep – down end position of the hook.