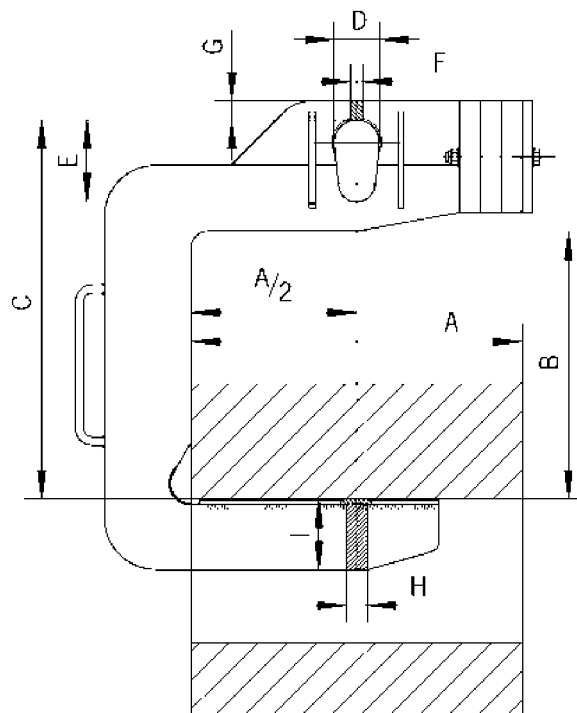


Wymiary – Uchwyty Tigrip, producent Yale, model TCK



Typ	Nośność t	Waga kg	Szer. kręgu mm	Wys. Użyt. mm	C mm	D mm	E mm	F mm	G mm	H mm	I mm	Artykuł Numer
TCK 0,5/300	0,5	22	300	400	570	60	120	20	25	20	50	5350.7801
TCK 0,5/500	0,5	36	500	400	580	60	120	20	23	20	65	5350.7802
TCK 0,5/800	0,5	48	800	400	580	60	120	25	23	25	70	5350.7803
TCK 1,0/300	1,0	33	300	450	620	60	120	25	23	20	70	5350.7804
TCK 1,0/500	1,0	53	500	450	630	60	120	20	23	25	80	5350.7805
TCK 1,0/800	1,0	95	800	450	630	60	120	30	23	30	90	5350.7806
TCK 2,0/300	2,0	45	300	500	700	75	150	25	38	25	90	5350.7807
TCK 2,0/500	2,0	90	500	500	700	75	150	30	38	30	110	5350.7808
TCK 2,0/800	2,0	140	800	500	720	75	150	30	38	30	125	5350.7809
TCK 2,0/1000	2,0	180	1000	500	720	75	150	20	35	40	125	5350.7810
TCK 3,0/300	3,0	76	300	500	700	75	150	30	38	30	105	5350.7811
TCK 3,0/500	3,0	127	500	500	700	75	150	20	40	30	125	5350.7812
TCK 3,0/800	3,0	165	800	500	720	75	150	25	40	40	140	5350.7813
TCK 3,0/1000	3,0	215	1000	500	720	75	150	20	40	40	155	5350.7814
TCK 5,0/500	5,0	184	500	550	800	100	200	25	45	40	145	5350.7815
TCK 5,0/800	5,0	238	800	550	800	100	200	30	45	50	160	5350.7816
TCK 5,0/1000	5,0	286	1000	550	820	100	200	30	45	50	180	5350.7817
TCK 5,0/1250	5,0	364	1250	550	820	100	200	30	45	50	200	5350.7818
TCK 7,5/800	7,5	390	800	600	900	110	220	35	50	50	200	5350.7819
TCK 7,5/1000	7,5	520	1000	600	900	110	220	35	50	60	200	5350.7820
TCK 7,5/1250	7,5	650	1250	600	900	110	220	35	45	60	220	5350.7821
TCK 7,5/1500	7,5	767	1500	600	920	110	220	35	50	70	220	5350.7822
TCK 10,0/1000	10,0	772	1000	650	980	130	250	40	50	70	220	5350.7823
TCK 10,0/1250	10,0	810	1250	650	1000	130	250	45	55	70	240	5350.7824
TCK 10,0/1500	10,0	980	1500	650	1000	130	250	45	55	80	240	5350.7825



OROME

Ul. Pułaskiego 17, 46-200 Kluczbork
Tel. +48 77 417 05 06, Fax +48 77 544 93 23

www.orome.pl orome@orome.pl

